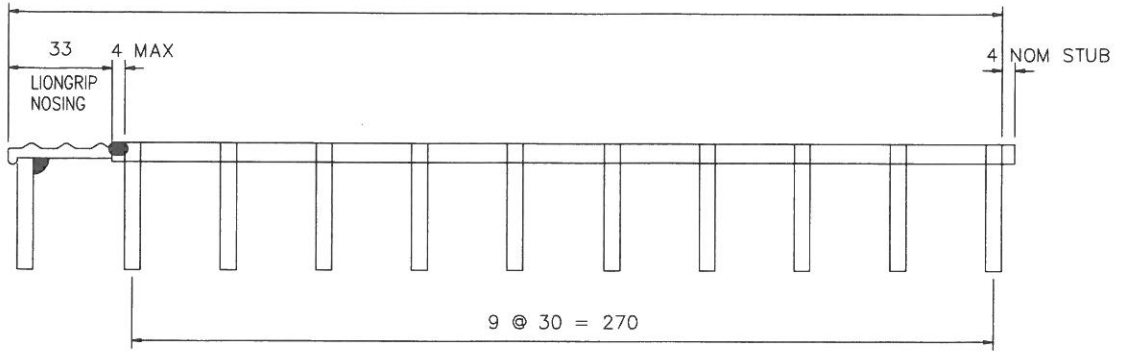
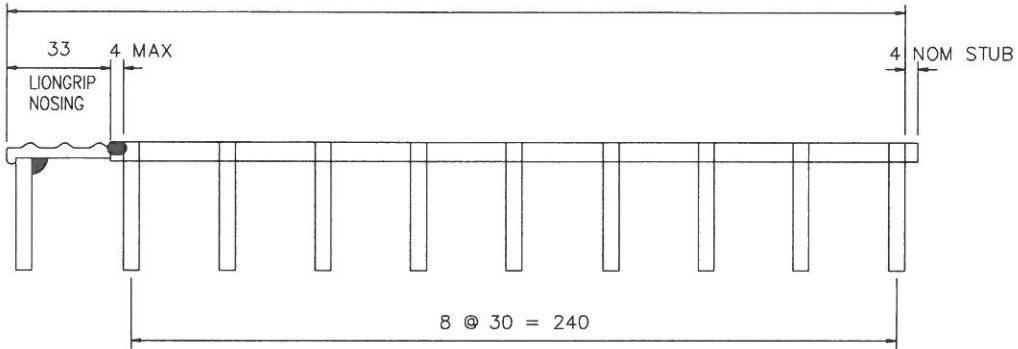


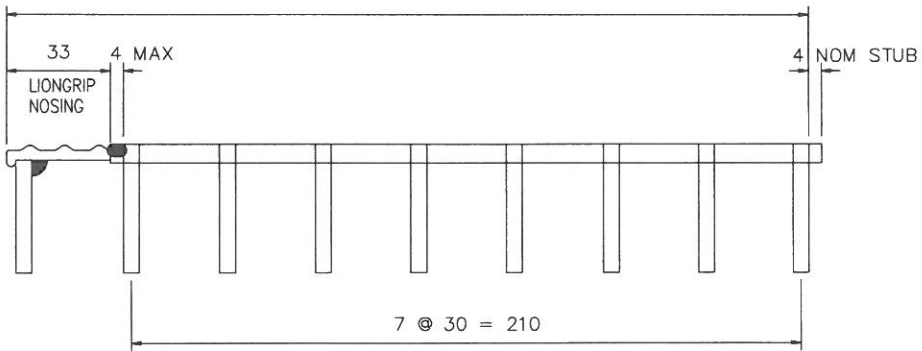
312 NOMINAL WIDTH OF TREAD (BASED ON 5 THICK BEARING BARS)



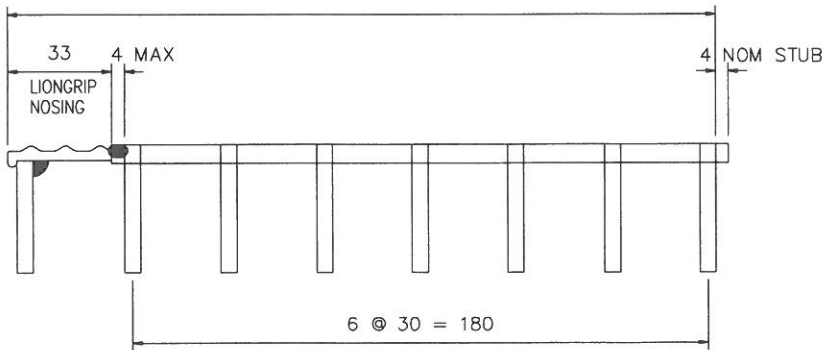
282 NOMINAL WIDTH OF TREAD (BASED ON 5 THICK BEARING BARS)



252 NOMINAL WIDTH OF TREAD (BASED ON 5 THICK BEARING BARS)



222 NOMINAL WIDTH OF TREAD (BASED ON 5 THICK BEARING BARS)



**LIONWELD KENNEDY**

Marsh Road, Middlesbrough, Cleveland TS1 5JS

Telephone 01642 245151 Fax 01642 224710 Telex 587279 LWAK G

TITLE:~

RGL "N" TYPE STAIRTREAD WITH LIONGRIP NOSING

Drawn By:~

G.MULLINS

Scale:~

Authorised By:~

L.McINNES

Date:~

JAN '07

SKETCH  
No.

M148

ISSUE

00