

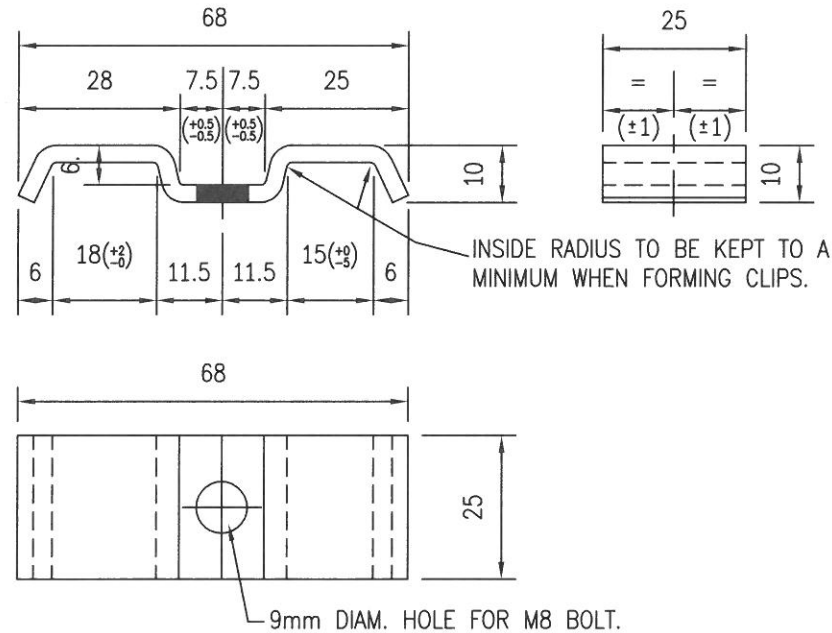
MATERIAL:

FINISH:

DETAIL OF STANDARD SADDLE TOP CLIP.

(SUITABLE FOR USE WITH LIONWELD GRATING TYPES 'N' & 'W')

SUPPLIED COMPLETE WITH BOTTOM PLATE TO SUIT
SUPPORTING STEELWORK & M8 HRH BOLT.



CLIPS MADE FROM 25 x 3 M.S. FLAT BAR TO BS EN 10025 GRADE S275JR
OR BS1449 TO GRADE HR15 U.N.O. (THICKNESS NOT TO INCLUDE MINUS TOLERANCE)

ALL DIMENSIONS ±1mm U.N.O.



LIONWELD KENNEDY

Marsh Road, Middlesbrough, Cleveland TS1 5JS
Telephone 01642 245151 Fax 01642 224710 Telex 587279 LWAK G

DO NOT SCALE

IF IN DOUBT ASK

REF. DRGS.

SUBJECT UNIVERSAL SADDLE TOP CLIP

FIXING CLIPS
SADDLE/STANDARD

No OFF	TYPE	No OFF	TYPE

SCALE 1:20

No. OF
PANELS

DRAWN BY RSC

DATE 16/08/10

CLIENT:

ISSUE	DATE	ISSUE	DATE
02		01	

DATE	ISSUE
	00

DATE	ISSUE
	00

DATE	ISSUE
	00

ISSUED FOR

DATE	ISSUE
05.09.09	

CHECKED BY AC

APPROVED L.Mc.

DRG. No

LKFL-STD-61 00